

### Man Basket Profile and Specification Details

Owner  
Expertise Contracting Co.

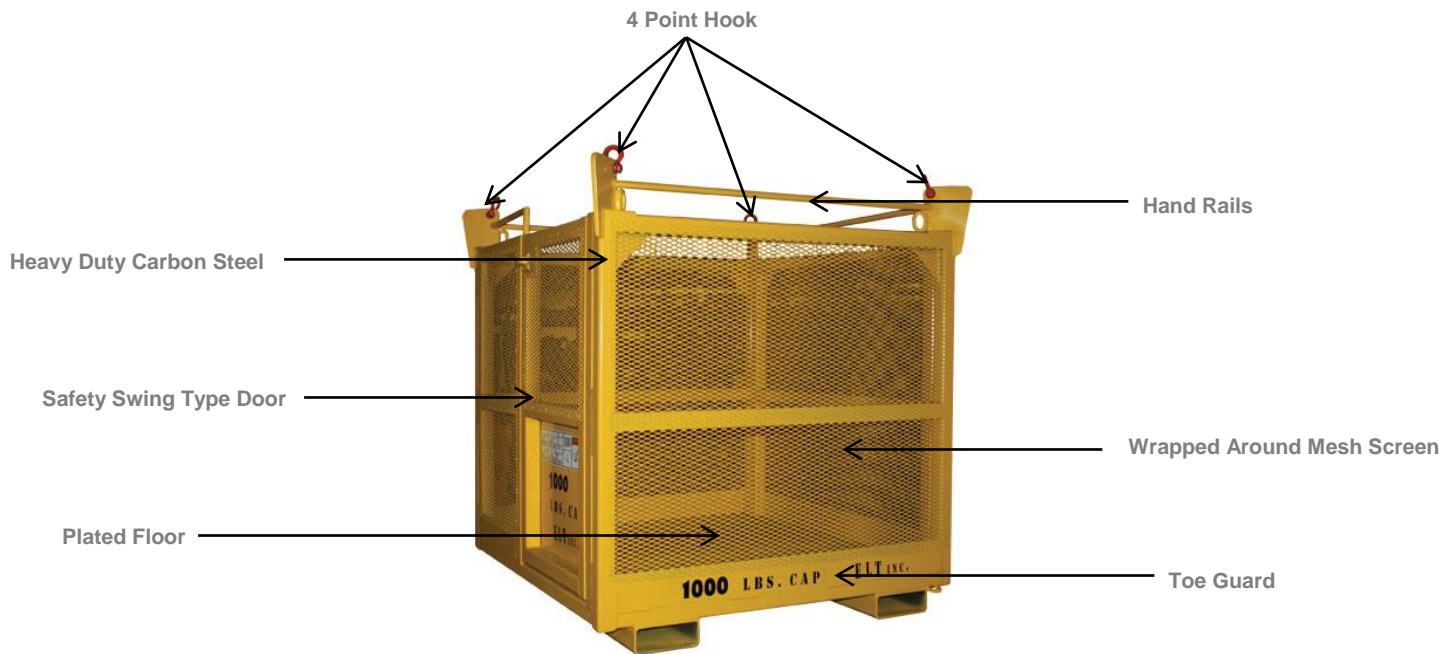
00	2014	EXP/PD/HL/D4.0	Man Baskets - Drawings and Dimensions	Planning Dept.
Rev.	Date	Doc. Ctrl. No.	Content	Prepared by

**Need a lift?**

**EXPERTISE safety cages are the perfect solution to safely elevate personnel.**



All safety cages are **TUV certified** and meet or exceed all industry code requirements. We offer a variety of sizes and capacities to accommodate all your lifting needs.



**Got Lift**

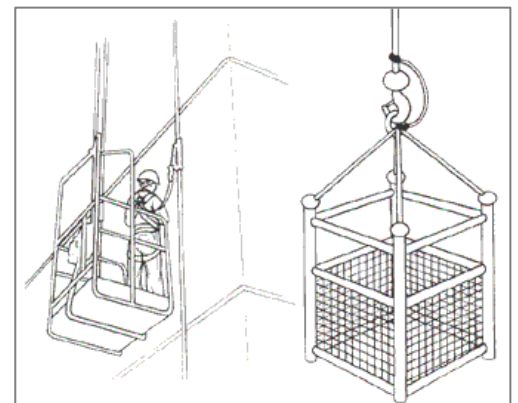
No lift access, No problem. Expertise man basket is a safe and reliable device when no ladders or scaffolding is available.

**Have you ever used....**

Have you ever used a man basket? If not, you're definitely going to find solution for your logistic problem.

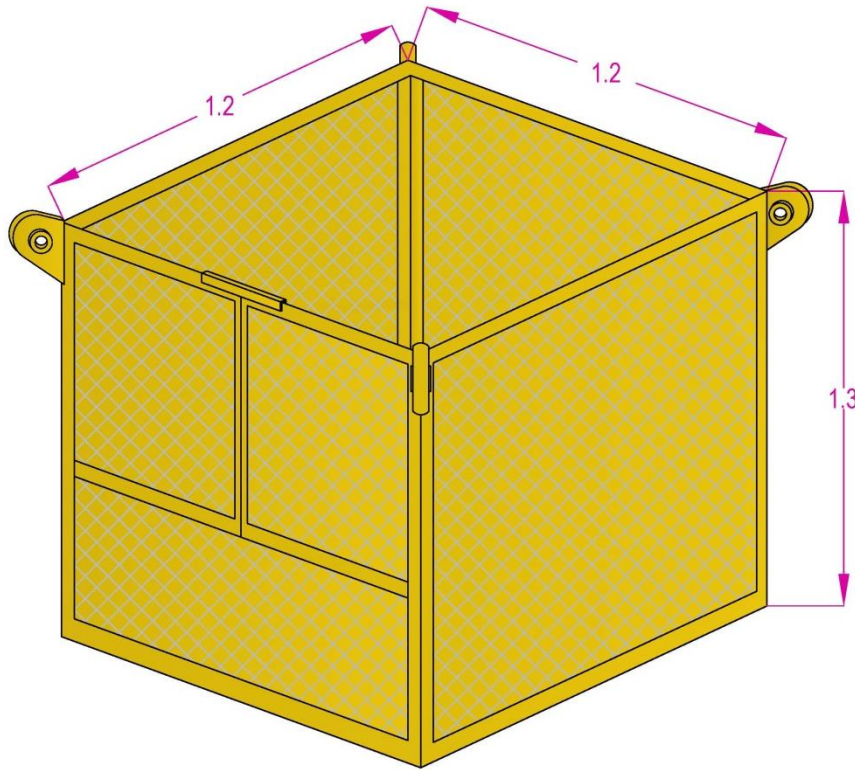
**Living in a material world?**

Expertise always uses heavy duty tubular steel, along with a non-slip diamond plate floor for security and safety for personnel. Thewrapped around mesh screen not only provides extra safety but also provides visual contact with the operator.



# MAN BASKET – 600 Kg

ALL DIMENSIONS ARE IN METERS EXCEPT OTHERWISE IT IS MENTIONED.

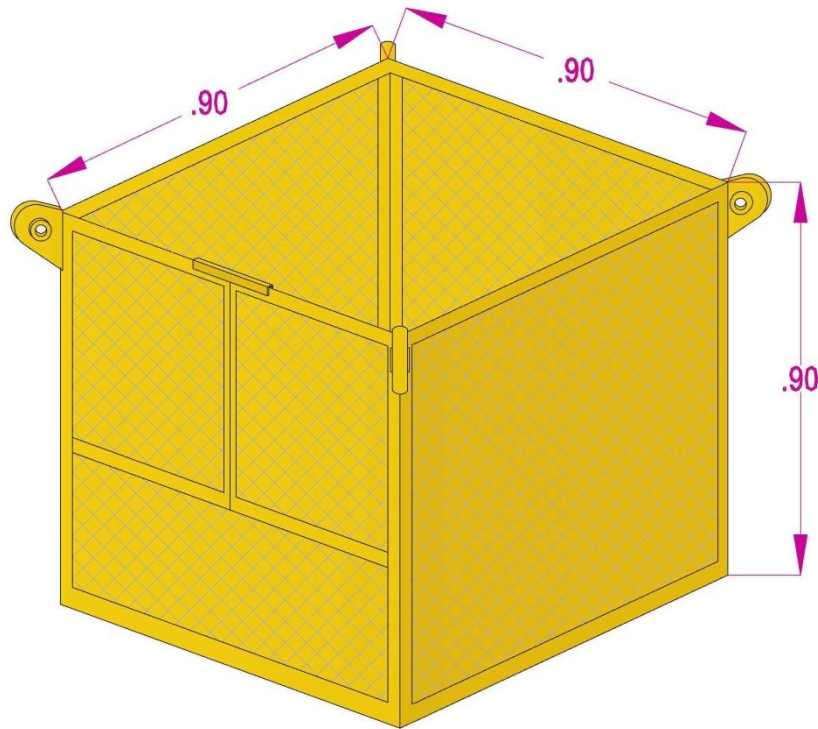


TAG ID	EIS-36-002, 003
QUANTITY	2
MATERIAL	CARBON STEEL ASTM A36
3 <sup>RD</sup> PARTY	TUV CERTIFIED
CAPACITY	600 Kg (2 PERSONS)

ECC/PD-MB-1	MAN BASKET DETAILS (600Kg)	EXPERTISE CONTRACTING CO.	DEEPAK
DRWG. NO.	TITLE	OWNER	DRAWN BY

# MAN BASKET – 300 Kg

ALL DIMENSIONS ARE IN METERS EXCEPT OTHERWISE IT IS MENTIONED.

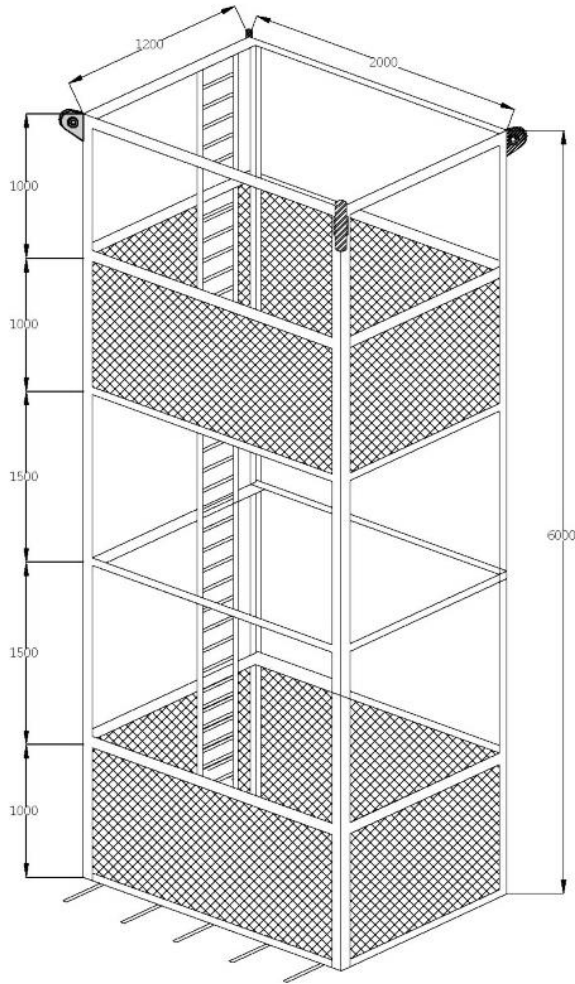


TAG ID	EIS-36-004
QUANTITY	1
MATERIAL	CARBON STEEL ASTM A36
3 <sup>RD</sup> PARTY	TUV CERTIFIED
CAPACITY	300 Kg (1 PERSON)

ECC/PD-MB-6	MAN BASKET DETAILS (300Kg)	EXPERTISE CONTRACTING CO.	DEEPAK
DRWG. NO.	TITLE	OWNER	DRAWN BY

# MAN BASKET – 1,000 Kg

ALL DIMENSIONS ARE IN CENTIMETERS EXCEPT OTHERWISE IT IS MENTIONED.

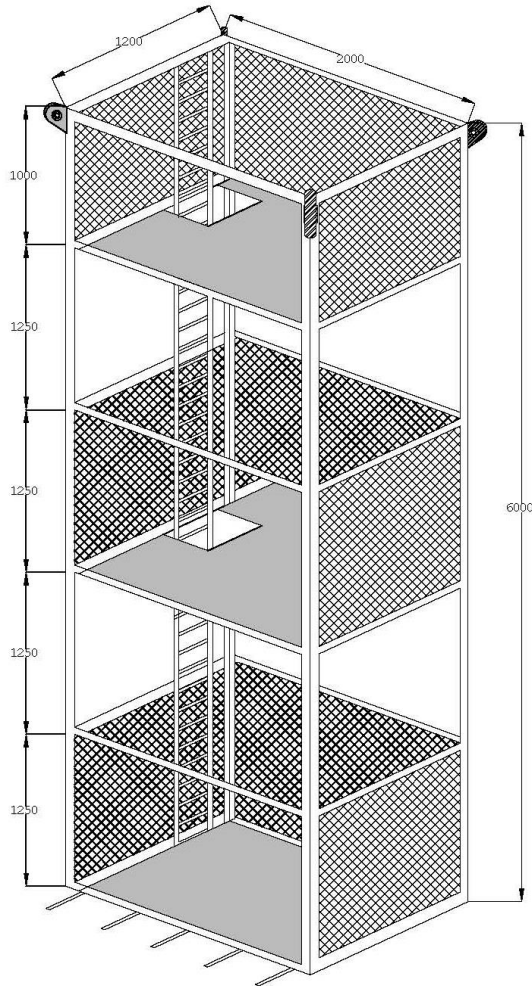


TAG ID	EIS-36-005
QUANTITY	1
MATERIAL	CARBON STEEL ASTM A36
3 <sup>RD</sup> PARTY	TUV CERTIFIED
CAPACITY	1,000 Kg (4 PERSONS)

ECC/PD-MB-4	MAN BASKET DETAILS (1,000Kg)	EXPERTISE CONTRACTING CO.	DEEPAK
DRWG. NO.	TITLE	OWNER	DRAWN BY

# MAN BASKET – 1,500 Kg

ALL DIMENSIONS ARE IN CENTIMETERS EXCEPT OTHERWISE IT IS MENTIONED.

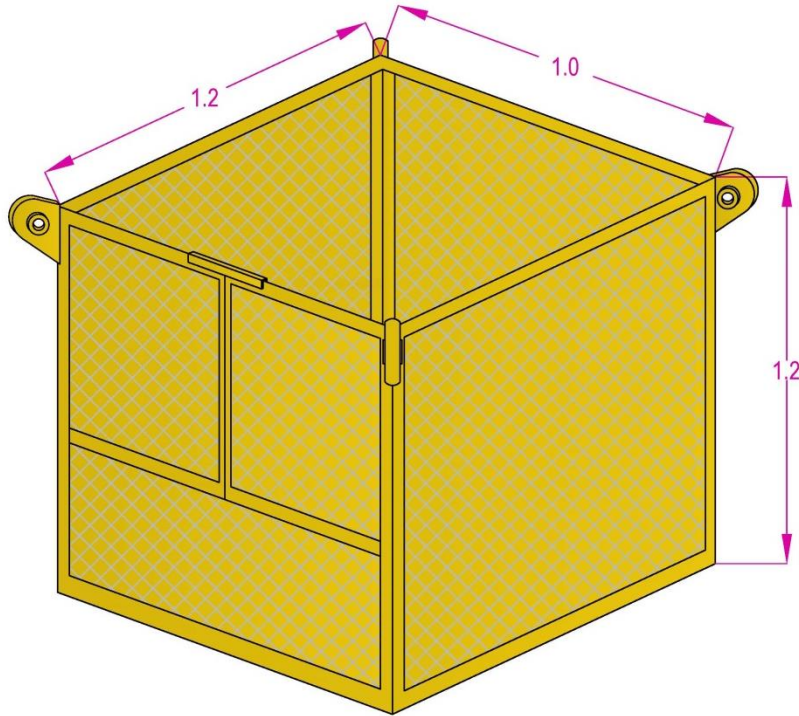


TAG ID	EIS-36-006, 007, 008
QUANTITY	3
MATERIAL	CARBON STEEL ASTM A36
3 <sup>RD</sup> PARTY	TUV CERTIFIED
CAPACITY	1,500 Kg (6 PERSONS)

ECC/PD-MB-5	MAN BASKET DETAILS (1,500Kg)	EXPERTISE CONTRACTING CO.	DEEPAK
DRWG. NO.	TITLE	OWNER	DRAWN BY

# MAN BASKET – 250 Kg

ALL DIMENSIONS ARE IN METERS EXCEPT OTHERWISE IT IS MENTIONED.

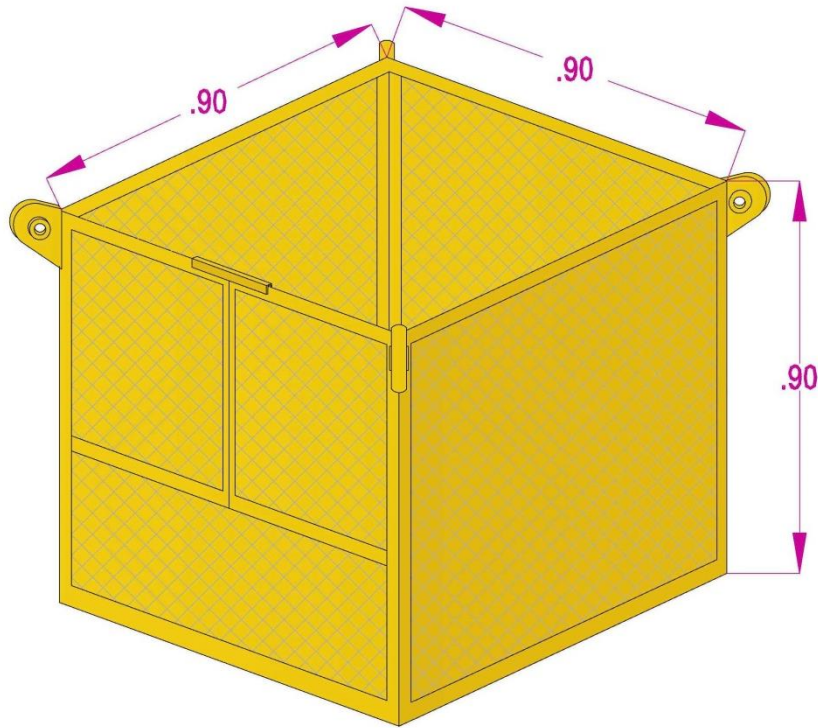


TAG ID	EIS-36-009, 010, 013, 014
QUANTITY	4
MATERIAL	CARBON STEEL ASTM A36
3 <sup>RD</sup> PARTY	TUV CERTIFIED
CAPACITY	250 Kg (2 PERSONS)

ECC/PD-MB-3	MAN BASKET DETAILS (250Kg)	EXPERTISE CONTRACTING CO.	DEEPAK
DRWG. NO.	TITLE	OWNER	DRAWN BY

# MAN BASKET – 250 Kg

ALL DIMENSIONS ARE IN METERS EXCEPT OTHERWISE IT IS MENTIONED.



TAG ID	EIS-36-011, 012
QUANTITY	2
MATERIAL	CARBON STEEL ASTM A36
3 <sup>RD</sup> PARTY	TUV CERTIFIED
CAPACITY	250 Kg (1 PERSON)

ECC/PD-MB-2	MAN BASKET DETAILS (250Kg)	EXPERTISE CONTRACTING CO.	DEEPAK
DRWG. NO.	TITLE	OWNER	DRAWN BY